

# Installation Note

---

## Configurable Test Set Upgrade Kit

For E8363B and E8364B PNA Series Microwave Network Analyzers

Network Analyzer Model Number	Upgrade Kit Part Number
E8363B and E8364B	E8364-60103

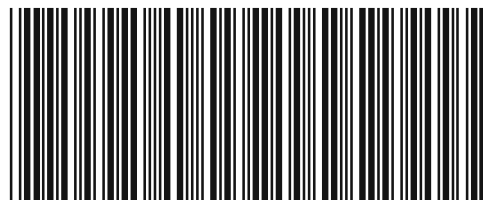


**Agilent Technologies**

Agilent Part Number: E8364-90019

Printed in USA October 2003

© Copyright 2003 Agilent Technologies, Inc. All rights reserved.



E8364-90019

---

## Notice

THE MATERIAL CONTAINED IN THIS DOCUMENT IS PROVIDED “AS IS,” AND IS SUBJECT TO BEING CHANGED, WITHOUT NOTICE, IN FUTURE EDITIONS. FURTHER, TO THE MAXIMUM EXTENT PERMITTED BY APPLICABLE LAW, AGILENT DISCLAIMS ALL WARRANTIES, EITHER EXPRESS OR IMPLIED WITH REGARD TO THIS MANUAL AND ANY INFORMATION CONTAINED HEREIN, INCLUDING BUT NOT LIMITED TO THE IMPLIED WARRANTIES OF MERCHANTABILITY AND FITNESS FOR A PARTICULAR PURPOSE. AGILENT SHALL NOT BE LIABLE FOR ERRORS OR FOR INCIDENTAL OR CONSEQUENTIAL DAMAGES IN CONNECTION WITH THE FURNISHING, USE, OR PERFORMANCE OF THIS DOCUMENT OR ANY INFORMATION CONTAINED HEREIN. SHOULD AGILENT AND THE USER HAVE A SEPARATE WRITTEN AGREEMENT WITH WARRANTY TERMS COVERING THE MATERIAL IN THIS DOCUMENT THAT CONFLICT WITH THESE TERMS, THE WARRANTY TERMS IN THE SEPARATE AGREEMENT WILL CONTROL.

---

## Getting Assistance from Agilent

By internet, phone, or fax, get assistance with all your test and measurement needs.

<b>Online assistance:</b> <a href="http://www.agilent.com/find/assist">www.agilent.com/find/assist</a>		
<b>United States</b> <i>(tel)</i> 1 800 452 4844	<b>Latin America</b> <i>(tel)</i> (305) 269 7500 <i>(fax)</i> (305) 269 7599	<b>Canada</b> <i>(tel)</i> 1 877 894 4414 <i>(fax)</i> (905) 282-6495
<b>Europe</b> <i>(tel)</i> (+31) 20 547 2323 <i>(fax)</i> (+31) 20 547 2390	<b>Australia</b> <i>(tel)</i> 1 800 629 485 <i>(fax)</i> (+61) 3 9210 5947	<b>New Zealand</b> <i>(tel)</i> 0 800 738 378 <i>(fax)</i> (+64) 4 495 8950
<b>Japan</b> <i>(tel)</i> (+81) 426 56 7832 <i>(fax)</i> (+81) 426 56 7840	<b>Singapore</b> <i>(tel)</i> 1 800 375 8100 <i>(fax)</i> (65) 836 0252	<b>Malaysia</b> <i>(tel)</i> 1 800 828 848 <i>(fax)</i> 1 800 801 664
<b>India</b> <i>(tel)</i> 1 600 11 2929 <i>(fax)</i> 000 800 650 1101	<b>Hong Kong</b> <i>(tel)</i> 800 930 871 <i>(fax)</i> (852) 2506 9233	<b>Taiwan</b> <i>(tel)</i> 0800 047 866 <i>(fax)</i> (886) 2 25456723
<b>Philippines</b> <i>(tel)</i> (632) 8426802 <i>(tel)</i> (PLDT subscriber only) 1 800 16510170 <i>(fax)</i> (632) 8426809 <i>(fax)</i> (PLDT subscriber only) 1 800 16510288	<b>Thailand</b> <i>(tel)</i> (outside Bangkok) (088) 226 008 <i>(tel)</i> (within Bangkok) (662) 661 3999 <i>(fax)</i> (66) 1 661 3714	<b>People’s Republic of China</b> <i>(tel)</i> (preferred) 800 810 0189 <i>(tel)</i> (alternate) 10800 650 0021 <i>(fax)</i> 10800 650 0121

---

## About Installing the Upgrade Kit

Products affected. . . . .	E8363/4B; without Option UNL or 016 E8363/4B; Option UNL E8363/4B; Options UNL and 016
Installation to be performed by . . . . .	Agilent service center or personnel qualified by Agilent
Estimated installation time . . . . .	2 hours
Estimated verification time . . . . .	5 minutes

---

## Description of Option 014

An Option 014 analyzer can be configured to measure high-power devices and devices that require high dynamic range.

For a high-power measurement, external amplifiers and high power attenuators or isolators can be added to complete the test setup. In this configuration, test-port output-power up to 1 Watt (+30 dBm) can be applied to the device under test (DUT). Additionally, there is an external reference input that allows the external amplifier's frequency response and drift to be ratioed out.

For high dynamic range measurements, front panel jumpers are configured to reverse the signal path through one of the couplers. This allows for a 15 dB improvement in transmitted signal sensitivity in one direction only. These jumpers can also be configured on both ports, allowing the user to perform high dynamic range measurements in both the forward and reverse directions.

## Items Included in the Upgrade Kit

Check the contents of your kit against this list. If any item is missing or damaged, contact Agilent Technologies. Refer to [“Getting Assistance from Agilent”](#) on page 2.

**Table 1 Contents of Option 014 Upgrade Kit (E8364-60103)**

Ref Desig.	Description	Qty	Part Number
<b>These parts are for ALL analyzers</b>			
	Installation note (this document)	1	E8362-90007
	Cable clamp	2	1400-1439
W60	Front-panel jumper	6	E8364-20059
W65	RF cable, channel R1 detector to REFERENCE 1 SOURCE OUT	1	E8364-20047
W66	RF cable, channel R2 detector to REFERENCE 2 SOURCE OUT	1	E8364-20048
W67	RF cable, A25 test port 1 coupler to PORT 1 CPLR ARM	1	E8364-20043
W68	RF cable, A26 test port 2 coupler to PORT 2 CPLR ARM	1	E8364-20044
<b>These parts are for analyzers WITHOUT Option UNL OR Option 016</b>			
	Lower front panel overlay (Option 014)	1	E8364-80003
W61	RF cable, A22 switch splitter to PORT 1 SOURCE OUT	1	E8364-20081
W62	RF cable, A22 switch splitter to PORT 2 SOURCE OUT	1	E8364-20082
W63	RF cable, PORT 1 CPLR THRU to A25 test port 1 coupler	1	E8364-20073
W64	RF cable, PORT 2 CPLR THRU to A26 test port 2 coupler	1	E8364-20074
W69	RF cable, PORT 1 RCVR A IN to A27 channel A mixer	1	E8364-20045
W70	RF cable, REFERENCE 1 RCVR R1 IN to A28 channel R1 mixer	1	E8364-20075
W71	RF cable, REFERENCE 2 RCVR R2 IN to A29 channel R2 mixer	1	E8364-20076
W72	RF cable, PORT 2 RCVR B IN to A30 channel B mixer	1	E8364-20046
<b>These parts are for analyzers WITH Option UNL but WITHOUT Option 016</b>			
	Lower front panel overlay (Option UNL/014)	1	E8364-80011
W69	RF cable, PORT 1 RCVR A IN to A27 channel A mixer	1	E8364-20045
W70	RF cable, REFERENCE 1 RCVR R1 IN to A28 channel R1 mixer	1	E8364-20176
W71	RF cable, REFERENCE 2 RCVR R2 IN to A29 channel R2 mixer	1	E8364-20177
W72	RF cable, PORT 2 RCVR B IN to A30 channel B mixer	1	E8364-20046
W81	RF cable, A36 step attenuator to PORT 1 SOURCE OUT	1	E8364-20053
W82	RF cable, A37 step attenuator to PORT 2 SOURCE OUT	1	E8364-20054
W83	RF cable, PORT 1 CPLR THRU to A38 bias tee	1	E8364-20039
W84	RF cable, PORT 2 CPLR THRU to A39 bias tee	1	E8364-20040

**Table 1 Contents of Option 014 Upgrade Kit (E8364-60103)**

<b>Ref Desig.</b>	<b>Description</b>	<b>Qty</b>	<b>Part Number</b>
<b>These parts are for analyzers WITH Option UNL AND Option 016</b>			
	Lower front panel overlay (Option UNL/014/016)	1	E8364-80024
W49	PORT 1 RCVR A IN to A43 channel A step attenuator	1	E8364-20129
W50	PORT 2 RCVR B IN to A44 channel B step attenuator	1	E8364-20130
W70	REFERENCE 1 RCVR R1 IN to A28 channel R1 mixer	1	E8364-20151
W71	REFERENCE 2 RCVR R2 IN to A29 channel R2 mixer	1	E8364-20126
W81	A36 step attenuator to PORT 1 SOURCE OUT	1	E8364-20053
W82	A37 step attenuator to PORT 2 SOURCE OUT	1	E8364-20054
W83	PORT 1 CPLR THRU to A38 bias tee	1	E8364-20039
W84	PORT 2 CPLR THRU to A39 bias tee	1	E8364-20040

---

## Installation Procedure for the Upgrade Kit

The network analyzer must be in proper working condition prior to installing this option. Any necessary repairs must be made before proceeding with this installation.

---

**WARNING**      **This installation requires the removal of the analyzer's protective outer covers. The analyzer must be powered down and disconnected from the mains supply before performing this procedure.**

---

### Electrostatic Discharge Protection

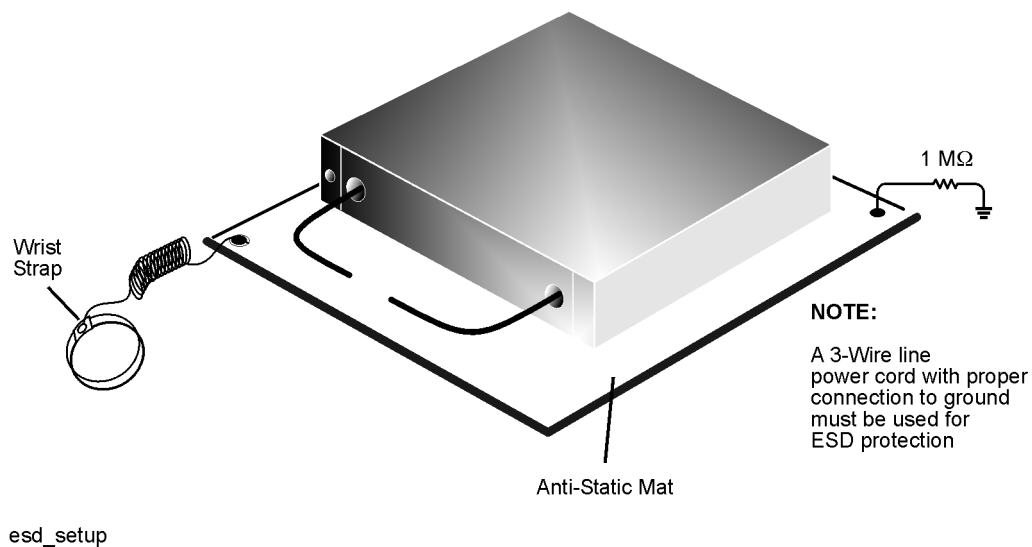
Protection against electrostatic discharge (ESD) is essential while removing or connecting cables or assemblies within the network analyzer.

Static electricity can build up on your body and can easily damage sensitive internal circuit elements when discharged. Static discharges too small to be felt can cause permanent damage. To prevent damage to the instrument:

- *always* wear a grounded wrist strap having a 1 M $\Omega$  resistor in series with it when handling components and assemblies.
- *always* use a grounded, conductive table mat while working on the instrument.
- *always* wear a heel strap when working in an area with a conductive floor. If you are uncertain about the conductivity of your floor, wear a heel strap.

Figure 1 shows a typical ESD protection setup using a grounded mat and wrist strap. Refer to “Tools and Equipment Required for the Installation” on page 7 for part numbers.

**Figure 1**    **ESD Protection Setup**



## Overview of the Installation Procedure

Step 1. Remove the Outer Cover.

Step 2. Remove the Front Panel Assembly.

Step 3. Raise the Receiver Deck.

Step 4. Remove the Existing Cables.

Step 5. Install the Option 014 Cables.

Step 6. Lower and Fasten the Receiver Deck.

Step 7. Replace the Lower Front Panel Overlay.

Step 8. Reinstall the Front Panel Assembly and Install the Front Panel Jumpers.

Step 9. Reinstall the Outer Cover.

Step 10. Enable Option 014.

Step 11. Verify that Option 014 Is Enabled.

## Tools and Equipment Required for the Installation

Description	Qty	Part Number
T-10 TORX driver (set to 9 in-lbs)	1	N/A
T-20 TORX driver (set to 21 in-lbs)	1	N/A
5/16-inch torque wrench (set to 10 in-lbs)	1	N/A
5/16-inch torque wrench (set to 21 in-lbs)	1	N/A
ESD grounding wrist strap	1	9300-1367
5-ft grounding cord for wrist strap	1	9300-0980
2 x 4 ft conductive table mat and 15-ft grounding wire	1	9300-0797
ESD heel strap (for use with conductive floors)	1	9300-1308

---

**CAUTION** Use a 5/16-inch torque wrench set to 10 in-lbs on all cable connections except the front-panel adapters to which the front-panel jumpers attach. Use a 5/16-inch torque wrench set to 21 in-lbs for these connections.

---

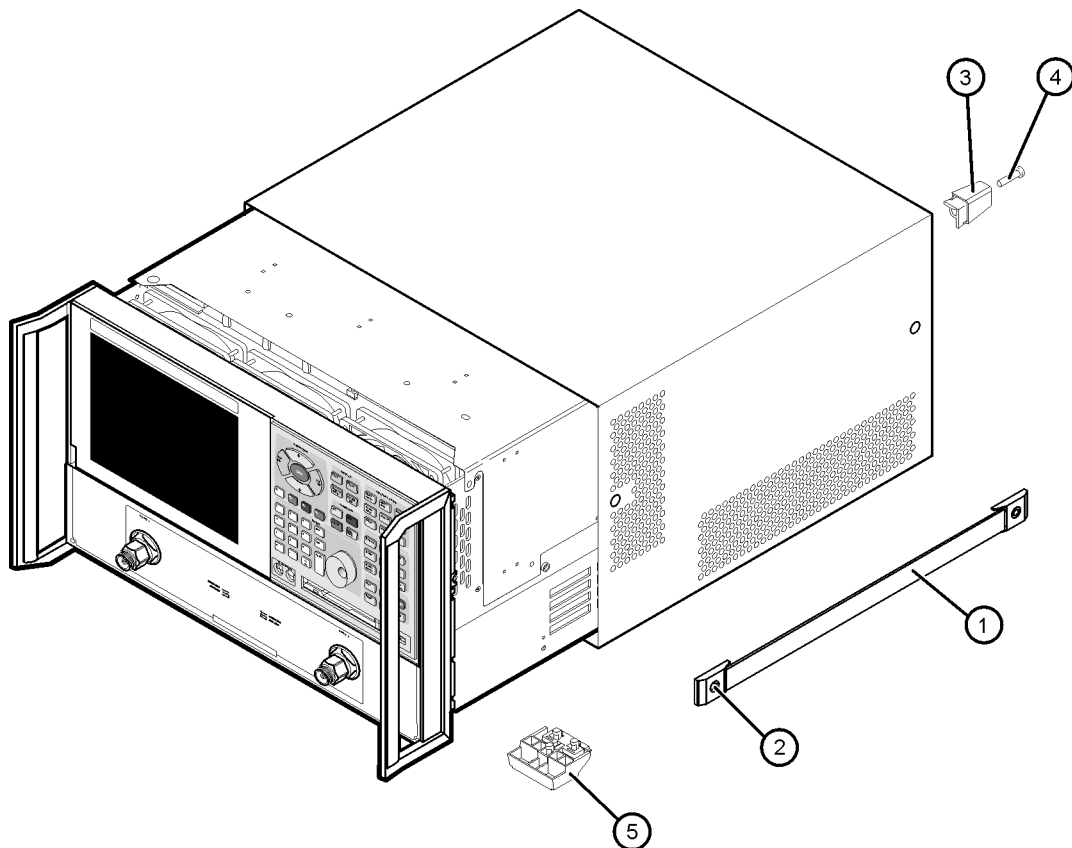
## Step 1. Remove the Outer Cover

**CAUTION** This procedure is best performed with the analyzer resting on its front handles in the vertical position. *Do not place the analyzer on its front panel without the handles.* This will damage the front panel assemblies.

Refer to [Figure 2](#) for this procedure.

1. Disconnect the power cord (if it has not already been disconnected).
2. With a T-20 TORX driver, remove the strap handles (item ①) by loosening the screws (item ②) on both ends until the handle is free of the analyzer.
3. With a T-20 TORX driver, remove the four rear panel feet (item ③) by removing the center screws (item ④).
4. Slide the four bottom feet (item ⑤) off the cover.
5. Slide the cover off of the frame.

**Figure 2 Outer Cover Removal**



dt501a



## Step 2. Remove the Front Panel Assembly

Refer to [Figure 3](#) for this procedure.

1. With a T-10 TORX driver, remove the eight screws (item ①) from the sides of the frame.

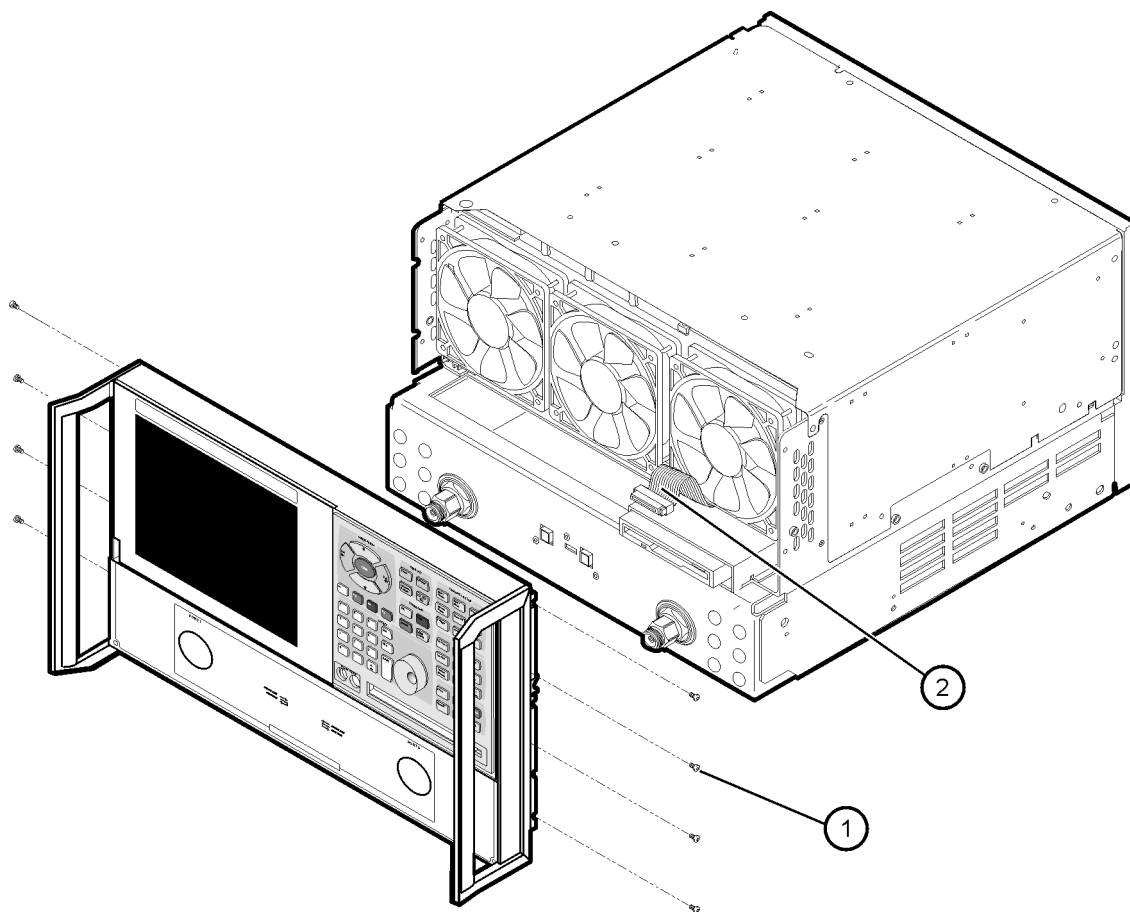
---

**CAUTION** Before removing the front panel from the analyzer, lift and support the front of the analyzer chassis.

---

2. Slide the front panel over the test port connectors.
3. Disconnect the front panel interface ribbon cable (item ②). The front panel is now free from the analyzer.

**Figure 3 Front Panel Assembly Removal**



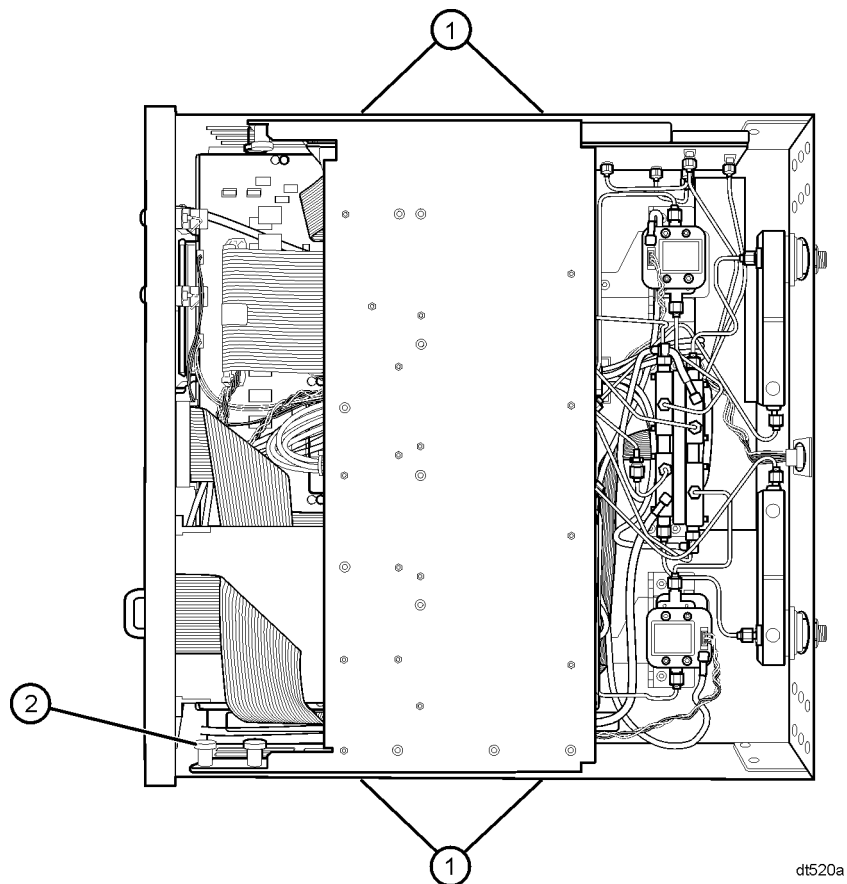
dt513a

### Step 3. Raise the Receiver Deck

Refer to [Figure 4](#) for this procedure.

1. Place the analyzer bottom-side up on a flat surface.
2. With a T-10 TORX driver, remove the four screws, (item ①), that secure the receiver deck.
3. Pull the latch pin (item ②) towards the opposite side of the analyzer to release the receiver deck. Be sure to pull only item ②. The other two latch pins are the pivot pins for the receiver deck. Pulling them will result in complete removal of the deck from the analyzer.
4. Lift the receiver deck to partially raise it, then release the latch pin (item ②). Lift the receiver deck to its fully raised position and ensure that the latch pin latches in the raised position.

**Figure 4 Receiver Deck, Raising**



## Step 4. Remove the Existing Cables

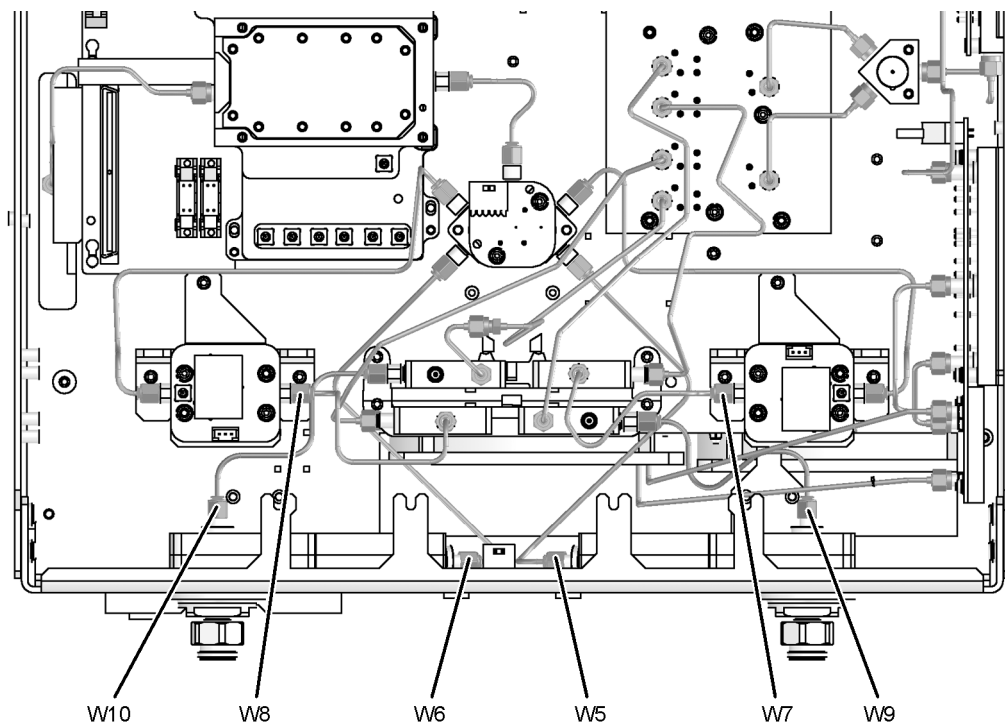
### Analyzers WITHOUT Option UNL OR 016

Refer to [Figure 5](#) for this procedure.

Remove these cables **in the order listed**:

- W7 E8364-20025 Channel R1 detector to A28 channel R1 mixer
- W8 E8364-20026 Channel R2 detector to A29 channel R2 mixer
- W9 E8364-20019 A25 test port 1 coupler to A27 channel A mixer
- W10 E8364-20020 A26 test port 2 coupler to A30 channel B mixer
- W5 E8364-20021 A22 switch splitter to A25 test port 1 coupler
- W6 E8364-20022 A22 switch splitter to A26 test port 2 coupler

**Figure 5 Cable Removal, Analyzers without Option UNL or 016**



8364\_019\_01

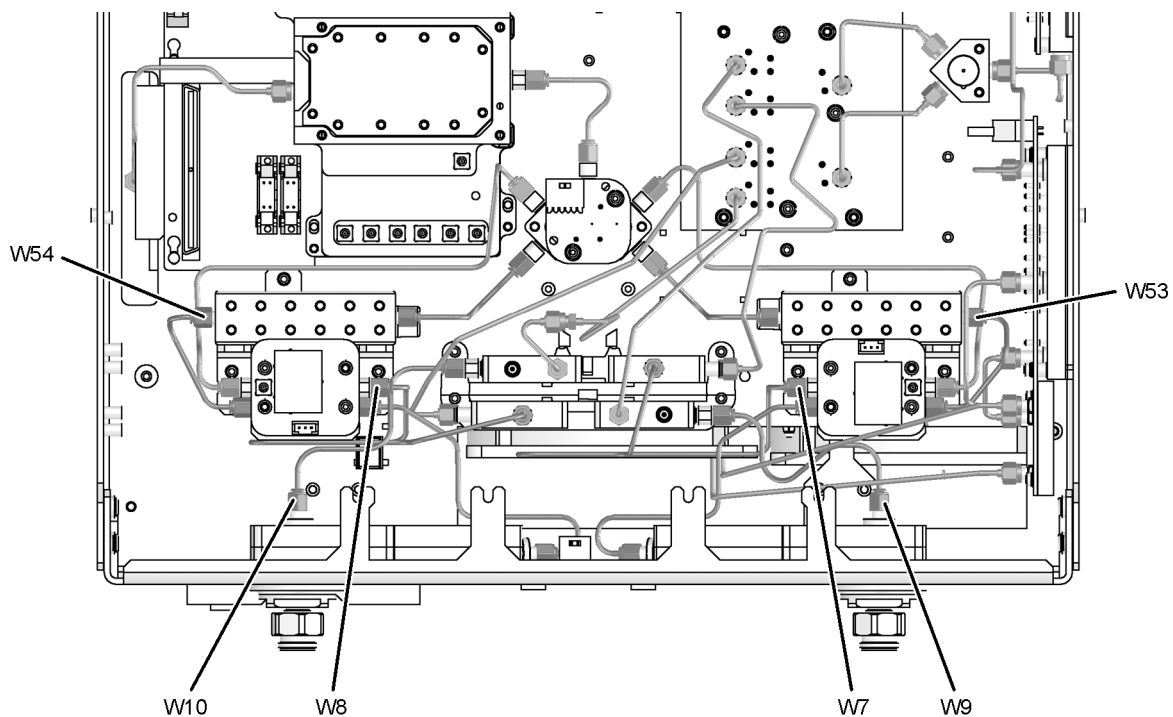
## Analyzers WITH Option UNL but WITHOUT Option 016

Refer to [Figure 6](#) for the following procedure.

Remove these cables **in the order listed**:

- W8 E8364-20175 Channel R2 detector to A29 channel R2 mixer
- W7 E8364-20174 Channel R1 detector to A28 channel R1 mixer
- W53 E8364-20077 A36 step attenuator to A38 bias tee
- W54 E8364-20077 A37 step attenuator to A39 bias tee
- W10 E8364-20020 A26 test port 2 coupler to A30 channel B mixer
- W9 E8364-20019 A25 test port 1 coupler to A27 channel A mixer

**Figure 6 Cable Removal, Analyzers with Option UNL but without Option 016**



8364\_019\_02

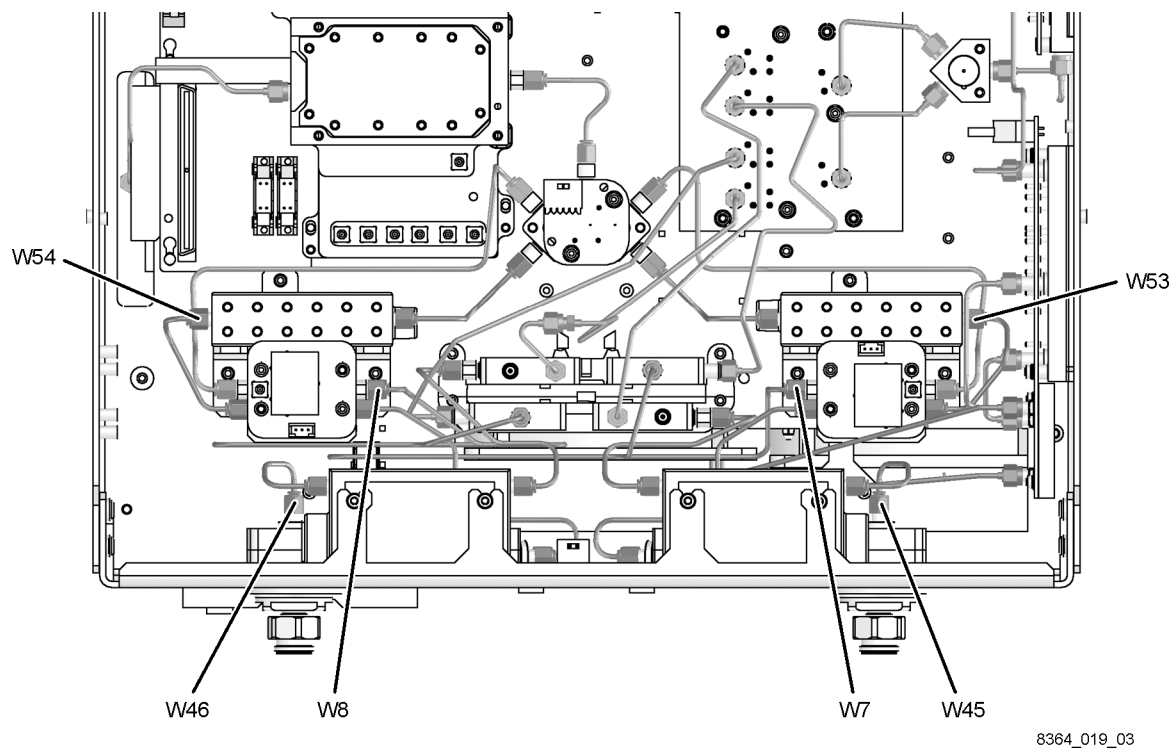
## Analyzers WITH Options UNL AND 016

Refer to [Figure 7](#) for the following procedure.

Remove these cables **in the order listed**:

- W8 E8364-20150 Channel R2 detector to A29 channel R2 mixer
- W7 E8364-20149 Channel R1 detector to A28 channel R1 mixer
- W53 E8364-20077 A36 step attenuator to A38 bias tee
- W54 E8364-20077 A37 step attenuator to A39 bias tee
- W46 E8364-20148 A26 test port 2 coupler to A44 step attenuator
- W45 E8364-20147 A25 test port 1 coupler to A43 step attenuator

**Figure 7 Cable Removal, Analyzers with Options UNL and 016**



## Step 5. Install the Option 014 Cables

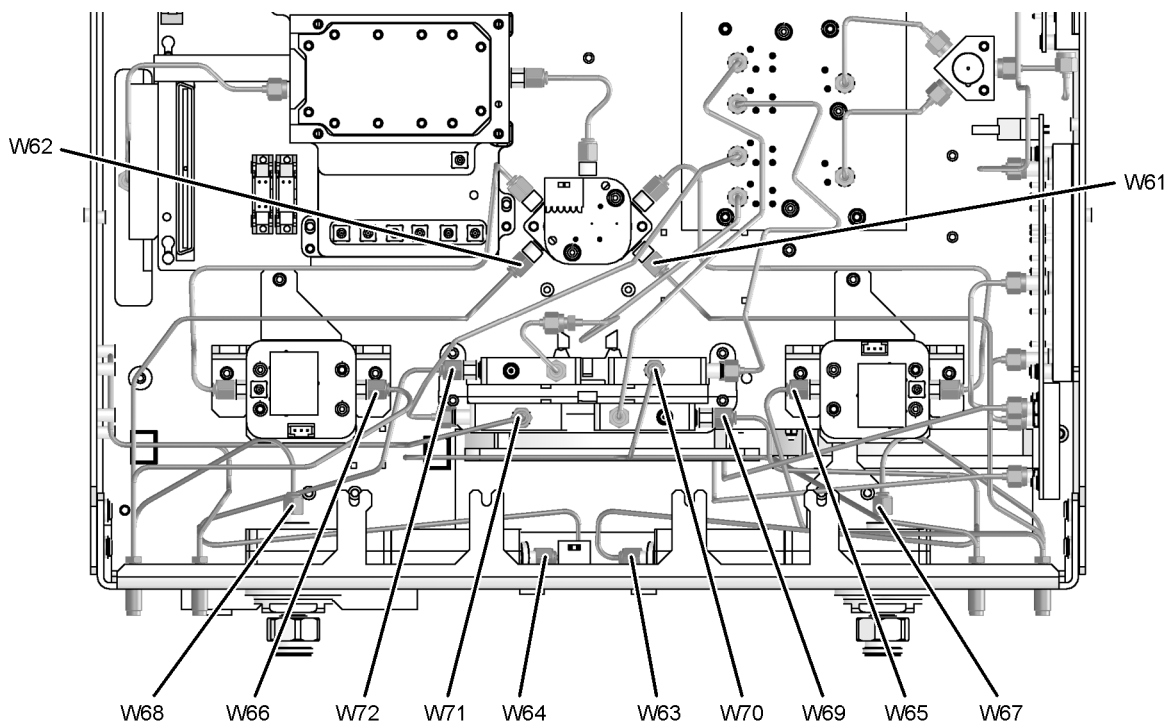
### Analyzers WITHOUT Option UNL OR 016

Refer to [Figure 8](#) for the following procedure. The new parts referenced in this procedure are listed in [Table 1 on page 4](#).

Install these cables **in the order listed**. Use a 5/16-inch torque wrench set to 10 in-lbs.

- W70 E8364-20075 REFERENCE 1 RCVR R1 IN to A28 channel R1 mixer
- W71 E8364-20076 REFERENCE 2 RCVR R2 IN to A29 channel R2 mixer
- W68 E8364-20044 A26 test port 2 coupler to PORT 2 CPLR ARM
- W72 E8364-20046 PORT 2 RCVR B IN to A30 channel B mixer
- W62 E8364-20082 A22 switch splitter to PORT 2 SOURCE OUT
- W64 E8364-20074 PORT 2 CPLR THRU to A26 test port 2 coupler
- W66 E8364-20048 Channel R2 detector to REFERENCE 2 SOURCE OUT
- W67 E8364-20043 A25 test port 1 coupler to PORT 1 CPLR ARM
- W69 E8364-20045 PORT 1 RCVR A IN to A27 channel A mixer
- W61 E8364-20081 A22 switch splitter to PORT 1 SOURCE OUT
- W63 E8364-20073 PORT 1 CPLR THRU to A25 test port 1 coupler
- W65 E8364-20047 Channel R1 detector to REFERENCE 1 SOURCE OUT

**Figure 8 Cable Installation, Analyzers without Option UNL or 016**



8364\_019\_04

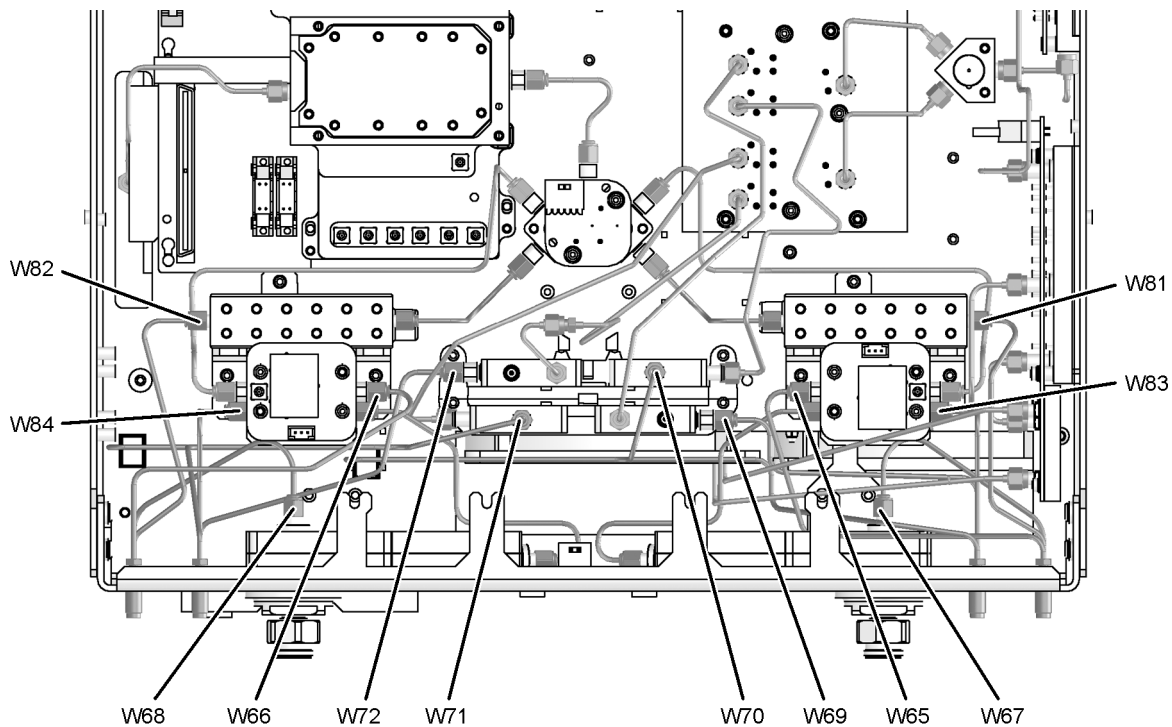
## Analyzers WITH Option UNL but WITHOUT Option 016

Refer to [Figure 9](#) for the following procedure. The new parts referenced in this procedure are listed in [Table 1 on page 4](#).

Install these cables **in the order listed**. Use a 5/16-inch torque wrench set to 10 in-lbs.

- W71 E8364-20177 REFERENCE 2 RCVR R2 IN to A29 channel R2 mixer
- W70 E8364-20176 REFERENCE 1 RCVR R1 IN to A28 channel R1 mixer
- W68 E8364-20044 A26 test port 1 coupler to PORT 2 CPLR ARM
- W72 E8364-20046 PORT 2 RCVR B IN to A30 channel B mixer
- W82 E8364-20054 A37 step attenuator to PORT 2 SOURCE OUT
- W84 E8364-20040 PORT 2 CPLR THRU to A39 bias tee
- W66 E8364-20048 Channel R2 detector to REFERENCE 2 SOURCE OUT
- W67 E8364-20043 A25 test port 1 coupler to PORT 1 CPLR ARM
- W69 E8364-20045 PORT 1 RCVR A IN to A27 channel A mixer
- W81 E8364-20053 A36 step attenuator to PORT 1 SOURCE OUT
- W83 E8364-20039 PORT 1 CPLR THRU to A38 bias tee
- W65 E8364-20047 Channel R1 detector to REFERENCE 1 SOURCE OUT

**Figure 9 Cable Installation, Analyzers with Option UNL but without Option 016**



8364\_019\_05



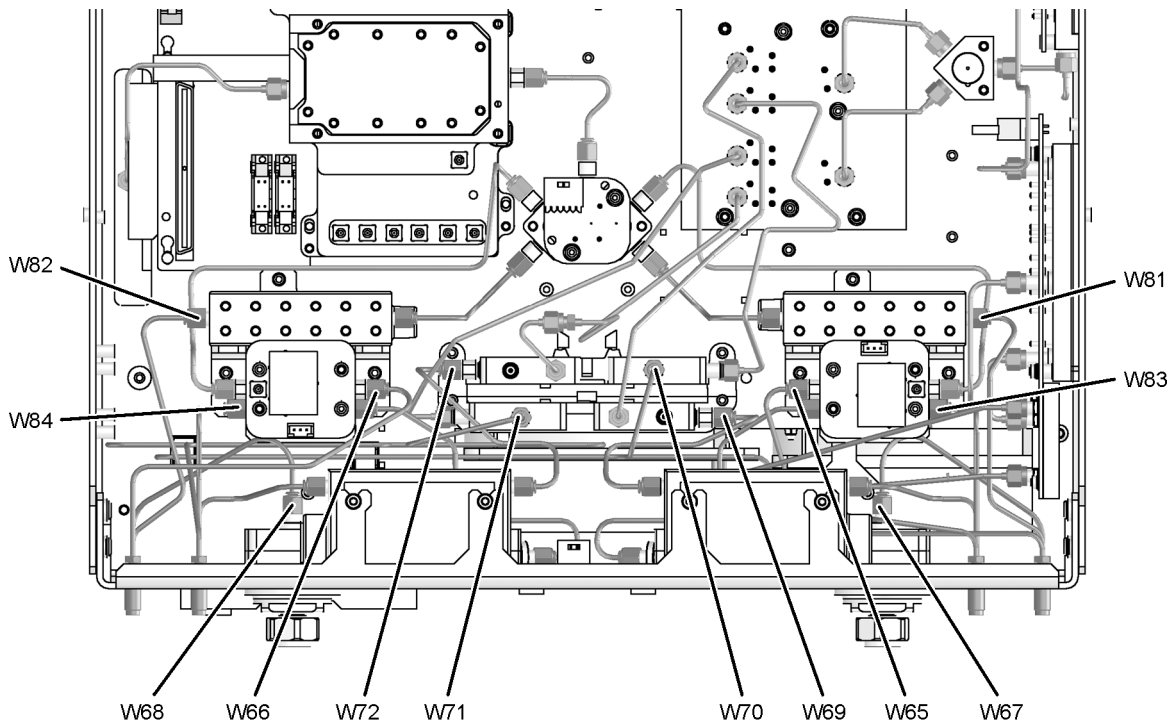
## Analyzers WITH Options UNL AND 016

Refer to [Figure 10](#) for the following procedure. The new parts referenced in this procedure are listed in [Table 1 on page 4](#).

Install these cables **in the order listed**. Use a 5/16-inch torque wrench set to 10 in-lbs.

- W71 E8364-20126 REFERENCE 2 RCVR R2 IN to A29 channel R2 mixer
- W70 E8364-20151 REFERENCE 1 RCVR R1 IN to A28 channel R1 mixer
- W68 E8364-20044 A26 test port 1 coupler to PORT 2 CPLR ARM
- W50 E8364-20130 PORT 2 RCVR B IN to A44 step attenuator
- W82 E8364-20054 A37 step attenuator to PORT 2 SOURCE OUT
- W84 E8364-20040 PORT 2 CPLR THRU to A39 bias tee
- W66 E8364-20048 Channel R2 detector to REFERENCE 2 SOURCE OUT
- W67 E8364-20043 A25 test port 1 coupler to PORT 1 CPLR ARM
- W49 E8364-20129 PORT 1 RCVR A IN to A43 step attenuator
- W81 E8364-20053 A36 step attenuator to PORT 1 SOURCE OUT
- W83 E8364-20039 PORT 1 CPLR THRU to A38 bias tee
- W65 E8364-20047 Channel R1 detector to REFERENCE 1 SOURCE OUT

**Figure 10 Cable Installation, Analyzers with Options UNL and 016**



8364\_019\_06

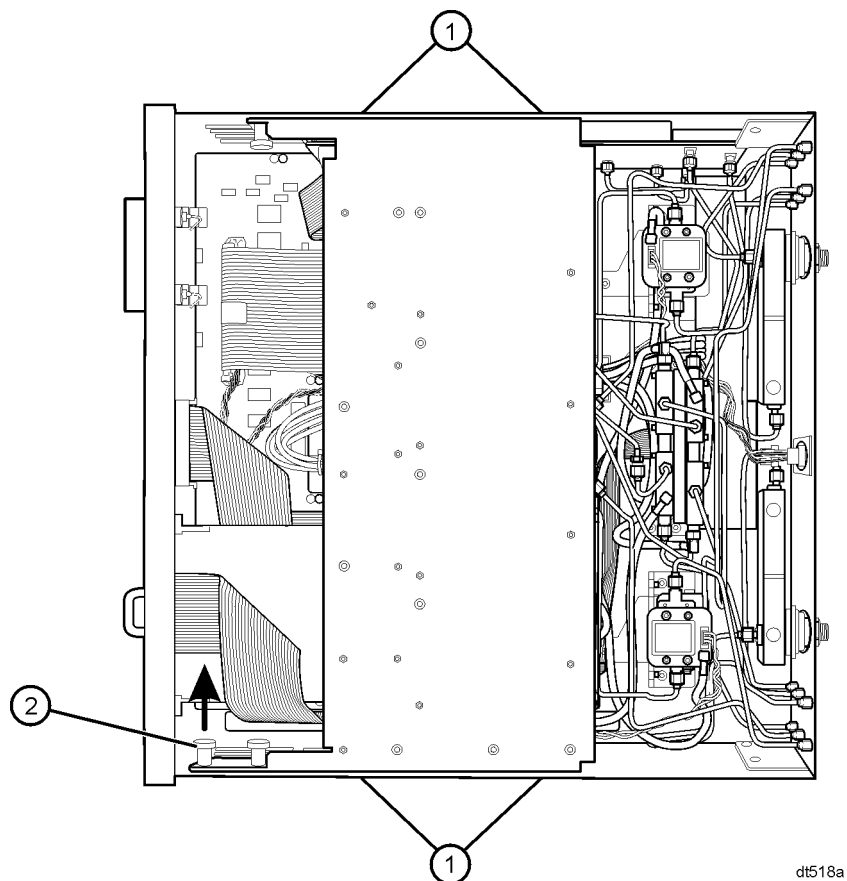


## Step 6. Lower and Fasten the Receiver Deck

Refer to [Figure 11](#) for this procedure.

1. Pull the latch pin (item ②) toward the opposite side of the analyzer to release the receiver deck.
2. Lift the receiver deck to partially lower it, then release the latch pin (item ②). Lower the receiver deck to its fully lowered position and ensure that the latch pin latches in the lowered position.
3. With a T-10 TORX driver, install the four screws (item ①) to secure the receiver deck.

**Figure 11 Receiver Deck, Lowering**



## Step 7. Replace the Lower Front Panel Overlay

---

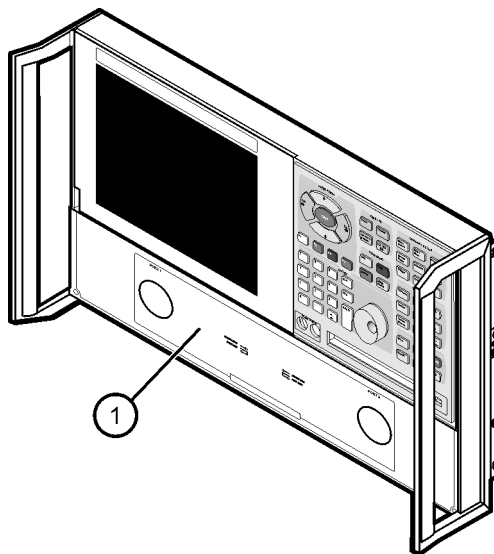
**NOTE** The new parts referenced in this procedure are listed in [Table 1 on page 4](#).

---

Refer to [Figure 12](#) for this procedure.

1. From the back side of the front panel, use a blunt object in one of the cutouts in the lower frame to push the overlay (item ①) and separate it from the front panel.
2. From the front side of the front panel, pull off the overlay completely and discard it.
3. Remove any adhesive remaining on the front panel.
4. Remove the protective backing from the new front panel overlay (item ①). Make sure you select the proper overlay for your analyzer. There are three overlays provided:
  - One for Option 014 only:  
The port SOURCE OUT labels read 40 VDC and the port RCVR IN labels read 15 VDC.
  - One for Option UNL/014:  
The port SOURCE OUT labels read 0 VDC and the port RCVR IN labels read 15 VDC.
  - One for Option UNL/014/016:  
The port SOURCE OUT labels read 0 VDC and the port RCVR IN labels read 0 VDC.
5. Starting from either the left or right side, *loosely* place the overlay in the recess on the lower front panel, ensuring that it fits tightly against the recess edges.
6. Once the overlay is in place, press it firmly onto the frame to secure it.

**Figure 12 Lower Front Panel Overlay Replacement**



dt519a

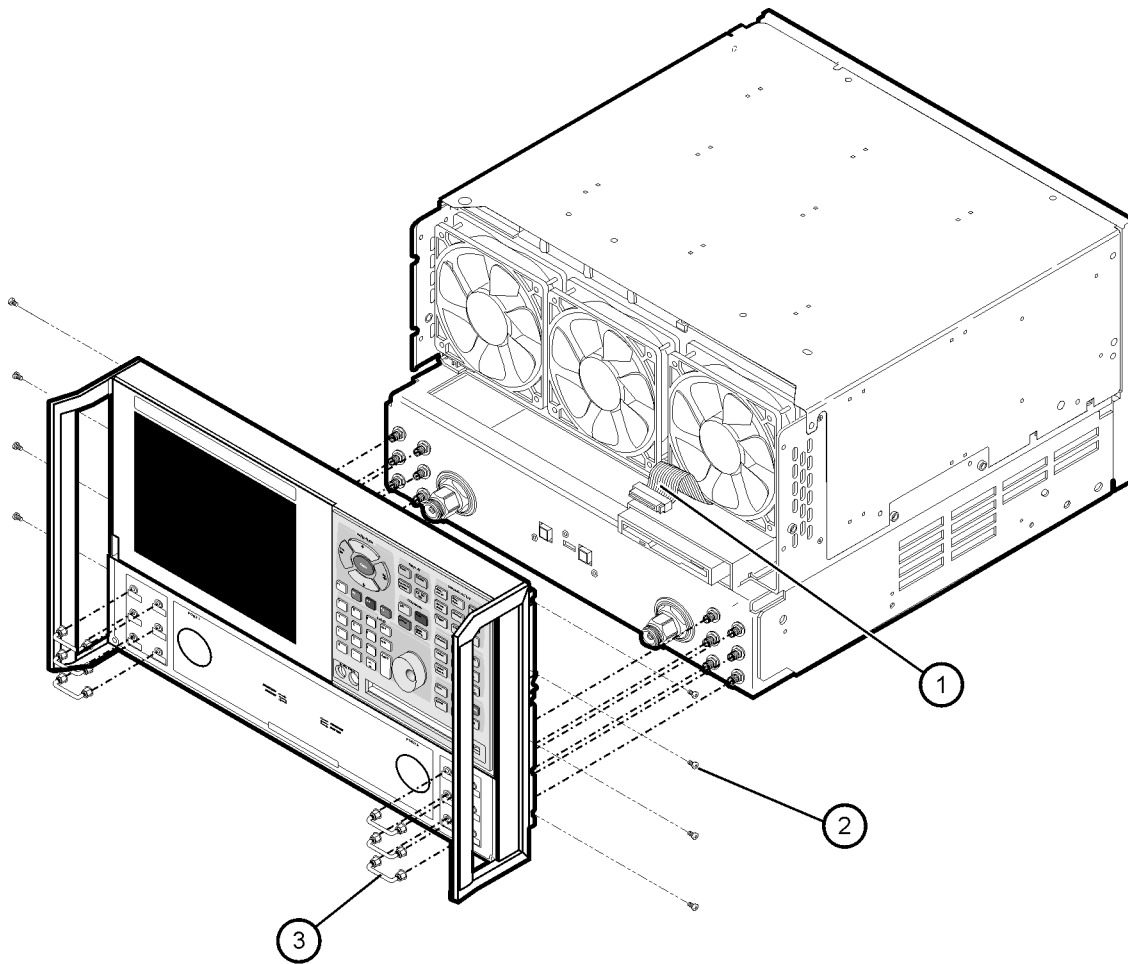
## Step 8. Reinstall the Front Panel Assembly and Install the Front Panel Jumpers

**CAUTION** Before installing the front panel assembly onto the analyzer, lift and support the front of the analyzer chassis.

Refer to [Figure 13](#) for this procedure.

1. Tighten all 12 of the front-panel feed-through connectors using a 5/16-inch torque wrench set to 21-in lbs.
2. Reconnect the ribbon cable (item ①) to the A3 front panel interface board.
3. Slide the front panel over the test port connectors being careful to align the power switch and floppy disk drive to their corresponding front panel cutouts. Ensure that the ribbon cable (item ①) is located below the fan to prevent it from being damaged by the fan blades.
4. With a T-10 TORX driver, install the eight screws (item ②) in the sides of the frame.
5. Install the six semirigid jumpers (item ③) on the front panel, and tighten to 10-in lbs.

**Figure 13 Front Panel Assembly Reinstallation**



dt511a

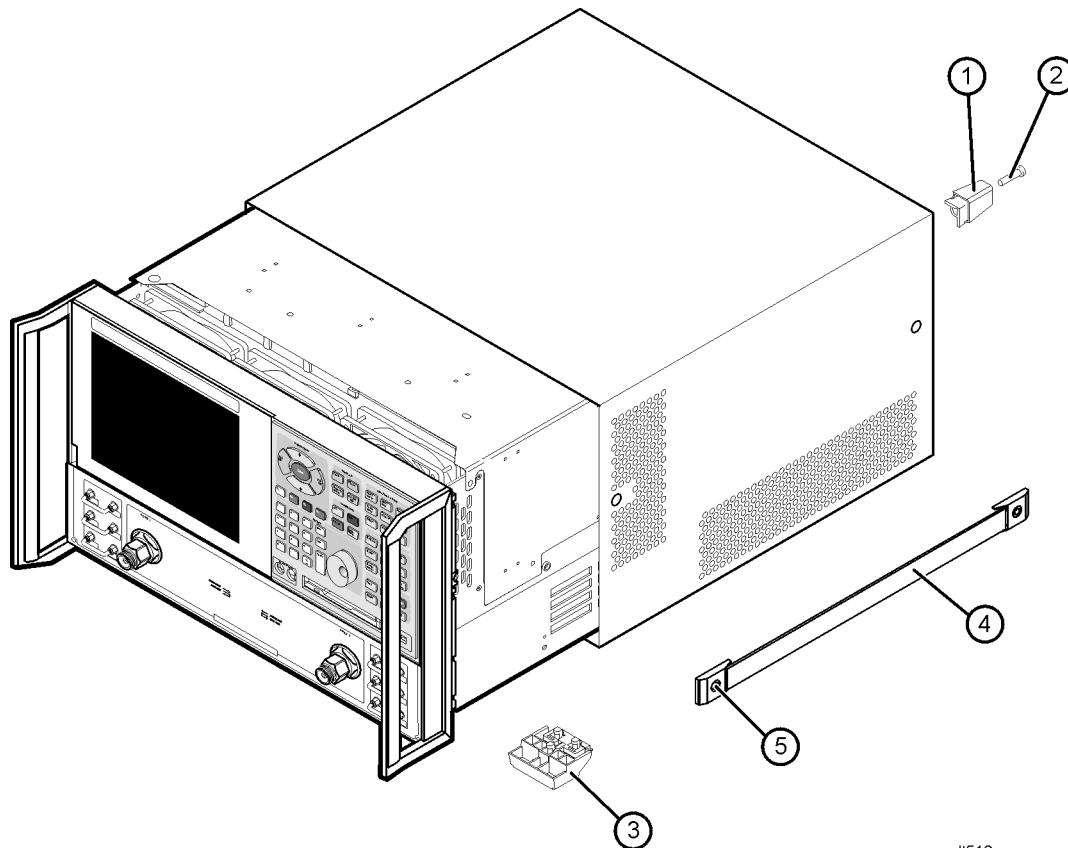
## Step 9. Reinstall the Outer Cover

**CAUTION** This procedure is best performed with the analyzer resting on its front handles in the vertical position. *Do not place the analyzer on its front panel without the handles.* This will damage the front panel assemblies.

Refer to [Figure 14](#) for this procedure.

1. Slide the cover over the analyzer frame.
2. With a T-20 TORX driver, install the four rear panel feet (item ①) by installing the center screws (item ②).
3. Slide the four bottom feet (item ③) into position on the cover.
4. With a T-20 TORX driver, install the strap handles (item ④) by installing the screws (item ⑤) on both ends of the handle.

**Figure 14 Outer Cover Reinstallation**



dt512a

## Step 10. Enable Option 014

### Procedure Requirements

- The analyzer must be powered up and operating to perform this procedure.
- The Network Analyzer program must be running.
- A mouse is recommended for this procedure but is not required.

### Mouse Procedure

1. On the analyzer's **System** menu, point to **Service**, and then click **Option Enable**.
2. In the **Select Desired Option** list, click **014 - Configurable Test Set**.
3. Click **Enable**.
4. Click **Yes** in answer to the displayed question in the **Restart Analyzer?** box.
5. When the installation is complete, click **Exit**.

### Front Panel Keys Procedure

1. In the **COMMAND** block, press **Menu/Dialog**.
2. In the **NAVIGATION** block, press the Right Tab and Arrows to move over to the **System** menu and down to the **Service** selection. Press the Right Tab to display the extended menu and the Arrows to select **Option Enable**. Press **Click**.
3. Tab to the **Select Desired Option** list, and press Arrows to select **014 - Configurable Test Set**.
4. Tab to **Enable**, and then press **Click**.
5. Click **Yes** in answer to the displayed question in the **Restart Analyzer?** box.
6. When the installation is complete, in the **COMMAND** block, press **OK** (or tab to **OK**, and then press **Click**).

## Step 11. Verify that Option 014 Is Enabled

### Procedure Requirements

- The analyzer must be powered up and operating to perform this procedure.
- The Network Analyzer program must be running.
- A mouse is recommended for this procedure but is not required.

### Mouse Procedure

1. On the analyzer's **Help** menu, click **About Network Analyzer**.
2. Verify that "014" is listed after "Options:" in the display. Click **OK**.

---

**NOTE** If Option 014 has not been enabled, perform step 10 again. If the option is still not enabled, contact Agilent Technologies. Refer to ["Getting Assistance from Agilent" on page 2](#).

---

### Front Panel Keys Procedure

1. In the **COMMAND** block, press **Menu/Dialog**.
2. In the **NAVIGATION** block, press the Right Tab and Arrows to move over to the **Help** menu, and down to the **About Network Analyzer** selection. Press **Click**.
3. Verify that "014" is listed after "Options:" in the display. In the **COMMAND** block, press **OK** (or tab to **OK**, and then press **Click**).

---

**NOTE** If Option 014 has not been enabled, perform step 10 again. If the option is still not enabled, contact Agilent Technologies. Refer to ["Getting Assistance from Agilent" on page 2](#).

---